



TSD-355PBXMS (AM103)

347V T5 Program Start Ballast

Application and Performance Specification

Ballast Type	Electronic	Ballast Factor	High
Starting Method	Program Start	Minimum Starting Temp.	-30°C / -22°F
Lamp Connection	Series	Approvals Class	UL / cUL Listed, Class P UL Type 1 Outdoor
Lamps Operated	1 or 2		
Input Voltage	347VAC; 50/60Hz	Warranty	5 Years $t_c \leq 75^\circ\text{C}$ 3 Years $75^\circ\text{C} < t_c \leq 90^\circ\text{C}$
EMI / RFI Compliance	FCC Part 18-A		
Sound Rating	Class A	Safety & Performance	Auto-Reset Shutdown Circuit Surge Protected Type HL No PCBs

Electrical Data

Lamp Type	Lamps Operated	Line Voltage	Input Watts*	Nominal Line Amps	Ballast Factor	Power Factor	THD	Crest Factor
54WT5HO	2	347	116	0.30	0.99	0.99	10%	1.70
	1		60	0.17	0.98	0.98	15%	
49WT5HO (ES)	2	347	107	0.31	0.99	0.98	15%	1.70
	1		56	0.16	0.98	0.97	20%	
47WT5HO (ES)	2	347	105	0.31	0.99	0.98	15%	1.70
	1		54	0.16	0.98	0.97	20%	
PLL55W	2	347	107	0.30	0.88	0.98	15%	1.70
	1		56	0.16	0.90	0.97	20%	
39WT5HO	2	347	92	0.26	0.98	0.98	15%	1.70
PLL50W	2	347	112	0.32	1.04	0.98	15%	1.70
	1		58	0.17	1.06	0.97	20%	

* ANSI measured wattage; 25°C ambient; bench top
Application and Performance Specification Information is subject to change without notification.

Wiring Diagram

Black	18.80"	48.00 cm	Overall Length (L)	9.50"	24.10 cm
White	18.80"	48.00 cm	Width (W)	1.70"	4.30 cm
Blue	30.90"	78.50 cm	Height (H)	1.20"	3.05 cm
Red	30.90"	78.50 cm	Mounting (M)	8.90"	22.6 cm
Yellow	46.40"	118.00 cm	Case Quantity	30	

Mechanical Data



© All documentation is subject to change without notice. Please refer to our website for the latest product information and specifications. Please contact us for details.

www.lumenefficientdesign.ca

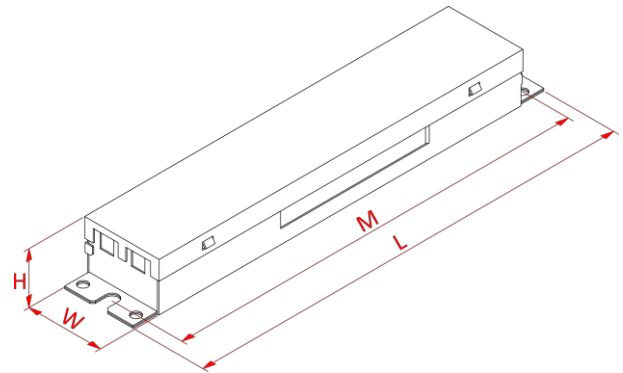
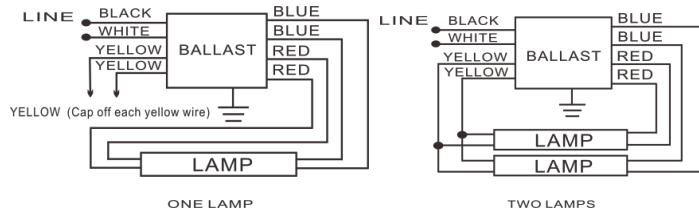
TSD-355PBXMS (AM103)

347V T5 Program Start Ballast

Wiring Diagram

Mechanical Data

Net Weight	39.02 lbs	17.50 kg
Gross Weight	41.23 lbs	18.50 kg



Maximum wiring distance (at full load) is 18AWG/18'
Ballast must be grounded

Install in accordance with the National Electrical Code

