



# TSD-UV40PBXMS (AM103)

# BIAX PLL Program Start Ballast

## Application and Performance Specification

Ballast Type	Electronic	Ballast Factor	High
Starting Method	Program Start	Minimum Starting Temp.	-30°C / -22°F
Lamp Connection	Series	Approvals Class	UL / cUL Listed, Class P UL Type 1 Outdoor
Lamps Operated	1 or 2		
Input Voltage	120-277VAC; 50/60Hz	Warranty	5 Years $t_c \leq 75^\circ\text{C}$ 3 Years $75^\circ\text{C} < t_c \leq 90^\circ\text{C}$
EMI / RFI Compliance	FCC Part 18-A		
Sound Rating	Class A	Safety	Auto-Reset Shutdown Circuit Surge Protected Type HL No PCBs

## Electrical Data

Lamp Type	Lamps Operated	Line Voltage	Input Watts*	Nominal Line Amps	Ballast Factor	Power Factor	THD	Crest Factor
PLL40W	2	120	95	0.67	0.88	0.99	10%	1.70
		230		0.36		0.98	10%	
		277		0.29		0.98	10%	
	1	120	46	0.38	1.03	0.99	10%	
		230		0.20		0.98	15%	
		277		0.17		0.97	15%	
PLL39W	2	120	68	0.57	0.63	0.99	10%	1.70
		230		0.30		0.98	15%	
		277		0.25		0.98	15%	
	1	120	36	0.30	0.65	0.99	10%	
		230		0.16		0.97	15%	
		277		0.13		0.97	20%	
PLL36W	2	120	64	0.53	0.80	0.99	10%	1.70
		230		0.28		0.98	15%	
		277		0.23		0.98	15%	
	1	120	34	0.28	0.85	0.99	10%	
		230		0.15		0.97	15%	
		277		0.13		0.96	20%	
PLL28W (ES)	2	120	75	0.63	1.00	0.99	10%	1.70
		230		0.33		0.98	15%	



© All documentation is subject to change without notice. Please refer to our website for the latest product information and specifications. Please contact us for details.

[www.lumenefficientdesign.ca](http://www.lumenefficientdesign.ca)

# TSD-UV40PBXMS (AM103)

# BIAX PLL Program Start Ballast

## Electrical Data

Lamp Type	Lamps Operated	Line Voltage	Input Watts*	Nominal Line Amps	Ballast Factor	Power Factor	THD	Crest Factor
	1	277	42	0.28	1.03	0.98	15%	
		120		0.35		0.99	10%	
		230		0.19		0.98	15%	
		277		0.16		0.97	15%	
PLL25W (ES)	2	120	70	0.59	1.00	0.99	10%	1.70
		230		0.31		0.98	15%	
		277		0.26		0.98	15%	
	1	120	39	0.33	1.03	0.99	10%	
		230		0.17		0.97	15%	
		277		0.15		0.96	20%	

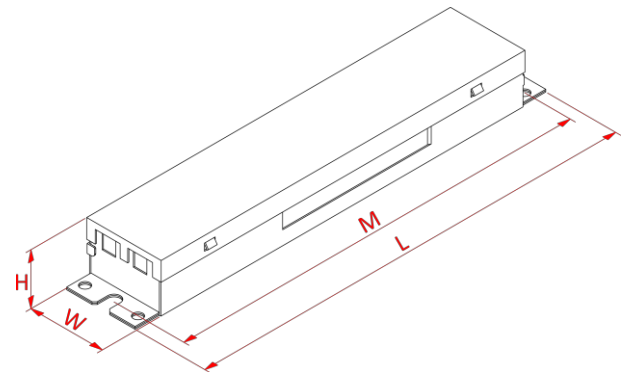
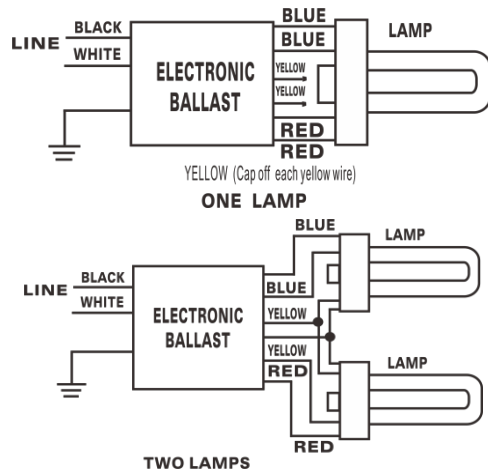
\* ANSI measured wattage; 25°C ambient; bench top; lamps base up  
Application and Performance Specification Information is subject to change without notification.

## Wiring Diagram

Black	18.80"	48.00 cm
White	18.80"	48.00 cm
Blue	30.90"	78.50 cm
Red	30.90"	78.50 cm
Yellow	46.40"	118.00 cm

## Mechanical Data

Overall Length (L)	9.50"	24.10 cm
Width (W)	1.70"	4.30 cm
Height (H)	1.20"	3.05 cm
Mounting (M)	8.90"	22.6 cm
Case Quantity	30	
Net Weight	39.02 lbs	17.70 kg
Gross Weight	41.23 lbs	18.70 kg



Maximum wiring distance (at full load) is 18AWG/18'  
Ballast must be grounded

Install in accordance with the National Electrical Code

