



ESPQ-A54T5S (AM104)

T5 Program Start Ballast

Application and Performance Specification

Ballast Type	Electronic	Ballast Factor	High
Starting Method	Program Start	Minimum Starting Temp.	-22°C / -30°F
Lamp Connection	Series-Parallel	Approvals Class	UL / cUL Listed, Class P UL Type 1 Outdoor
Lamps Operated	1~4		
Input Voltage	120-277VAC; 50/60Hz	Warranty	5 Years $t_c \leq 75^\circ\text{C}$ 3 Years $75^\circ\text{C} < t_c \leq 90^\circ\text{C}$
EMI / RFI Compliance	FCC Part 18-A		
Sound Rating	Class A	Safety & Performance	Auto-Reset Shutdown Circuit Surge Protected Type HL No PCBs NRCan Energy Verified

Electrical Data

Lamp Type	Lamps Operated	Line Voltage	Input Watts*	Nominal Line Amps	Ballast Factor	Power Factor	THD	Crest Factor
54WT5HO	4	120	230	2.00	0.98	0.99	10%	1.70
		230		1.02		0.99	10%	
		277		0.86		0.98	15%	
	3	120	176	1.48	1.00	0.99	10%	
		230		0.78		0.98	10%	
		277		0.65		0.98	15%	
	2	120	118	0.99	0.99	0.98	15%	
		230		0.52		0.98	15%	
		277		0.43		0.97	15%	
	1	120	60	0.51	1.02	0.98	15%	
		230		0.27		0.98	15%	
		277		0.22		0.97	20%	
49WT5HO (ES)	4	120	212	1.78	0.98	0.99	10%	1.70
		230		0.94		0.99	10%	
		277		0.78		0.98	15%	
	3	120	169	1.42	1.00	0.99	10%	
		230		0.75		0.98	10%	
		277		0.62		0.98	15%	
	2	120	113	0.95	0.99	0.98	15%	





ESPQ-A54T5S (AM104)

T5 Program Start Ballast

Electrical Data

Lamp Type	Lamps Operated	Line Voltage	Input Watts*	Nominal Line Amps	Ballast Factor	Power Factor	THD	Crest Factor	
	1	230	58	0.50	1.02	0.98	15%		
		277		0.42		0.97	15%		
		120		0.49		0.98	15%		
		230		0.26		0.98	15%		
		277		0.21		0.97	20%		
39WT5	4	120	170	1.43	1.00	0.99	10%	1.70	
		230		0.75		0.99	10%		
		277		0.63		0.98	15%		
PLL55	4	120	198	1.67	0.88	0.99	10%	1.70	
		230		0.88		0.99	10%		
		277		0.73		0.98	15%		
	3	120	153	1.28	0.90	0.99	10%		
				230		0.68	0.98		15%
				277		0.56	0.98		15%
	2	120	102	0.86	0.92	0.98	15%		
				230		0.45	0.98		15%
				277		0.38	0.97		15%
	1	120	56	0.47	0.95	0.98	15%		
				230		0.25	0.98		15%
				277		0.21	0.97		20%
	PLL50	4	120	224	1.89	1.08	0.99	10%	1.70
			230		0.99		0.98	10%	
			277		0.83		0.98	15%	
3		120	169	1.42	1.08	0.99	10%		
				230		0.75	0.98		10%
				277		0.72	0.98		15%
2		120	103	0.87	1.10	0.98	15%		
				230		0.46	0.98		15%
				277		0.38	0.97		15%
1		120	55	0.46	1.10	0.98	15%		



© All documentation is subject to change without notice. Please refer to our website for the latest product information and specifications. Please contact us for details.

www.lumenefficientdesign.ca

ESPQ-A54T5S (AM104)

T5 Program Start Ballast

Electrical Data

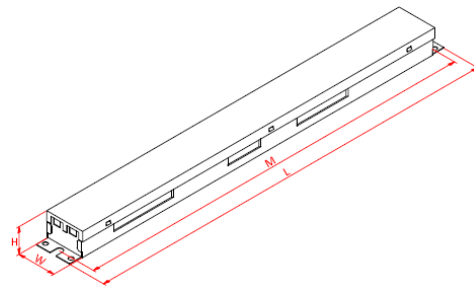
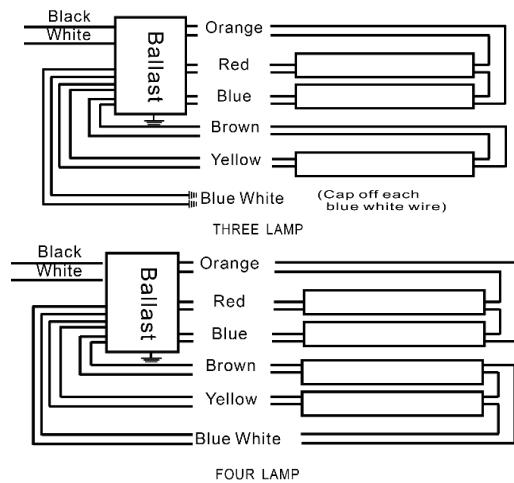
Lamp Type	Lamps Operated	Line Voltage	Input Watts*	Nominal Line Amps	Ballast Factor	Power Factor	THD	Crest Factor
		230		0.24		0.98	15%	
		277		0.20		0.97	20%	

* ANSI measured wattage; 25°C ambient; bench top
Application and Performance Specification Information is subject to change without notification.

Wiring Diagram

Mechanical Data

Black	22.00"	55.88 cm	Overall Length (L)	17.70"	45.00 cm
White	22.00"	55.88 cm	Width (W)	1.70"	4.30 cm
Blue	30.00"	76.20 cm	Height (H)	1.20"	3.00 cm
Red	30.00"	76.20 cm	Mounting (M)	17.20"	43.80 cm
Yellow	30.00"	76.20 cm	Case Quantity	10	
Blue/White	48.00"	121.92 cm	Net Weight	26.46 lbs	12.00 kg
Brown	40.00"	101.6 cm	Gross Weight	28.66 lbs	13.00 kg
Orange	56.00"	142.24cm			



Maximum wiring distance (at full load) is 18AWG/18'
Ballast must be grounded

Install in accordance with the National Electrical Code

