



# CSD-B18KITS (AM42)

# 347V PLC/PLT Program Start Ballast

## Application and Performance Specification

Ballast Type	Electronic	Ballast Factor	High
Starting Method	Program Start	Minimum Starting Temp.	-30°C / -22°F
Lamp Connection	Series	Approvals Class	UL / cUL Listed, Class P UL Type 1 Outdoor
Lamps Operated	1 or 2		
Input Voltage	347VAC; 50/60Hz	Warranty	5 Years $t_c \leq 75^\circ\text{C}$ 3 Years $75^\circ\text{C} < t_c \leq 90^\circ\text{C}$
EMI / RFI Compliance	FCC Part 18-A		
Sound Rating	Class A	Safety	Auto-Reset Shutdown Circuit End-of-Life Lamp Protection Surge Protected Type HL No PCBs CAN ICES-005 (A)

## Electrical Data

Lamp Type	Lamps Operated	Line Voltage	Input Watts*	Nominal Line Amps	Ballast Factor	Power Factor	THD	Crest Factor
PLT18W	2	347	40	0.12	1.10	0.97	15%	1.70
	1		21	0.06	1.29	0.97	15%	
PLC18W	2	347	41	0.12	1.10	0.97	15%	1.70
	1		22	0.06	1.29	0.97	15%	
PLT13W	2	347	34	0.10	1.30	0.96	20%	1.70
	1		19	0.05	1.47	0.97	15%	
PLC13W	2	347	35	0.10	1.30	0.96	20%	1.70
	1		18	0.05	1.47	0.97	15%	
2D16W	2	347	38	0.14	0.98	0.96	20%	1.70
	1		21	0.06	0.77	0.96	20%	
2D21W	1	347	20	0.06	1.08	0.97	15%	1.70
FC9T5	1	347	20	0.06	1.10	0.97	15%	1.70

\* ANSI measured wattage; 25°C ambient; bench top; lamps base up  
Application and Performance Specification Information is subject to change without notification.



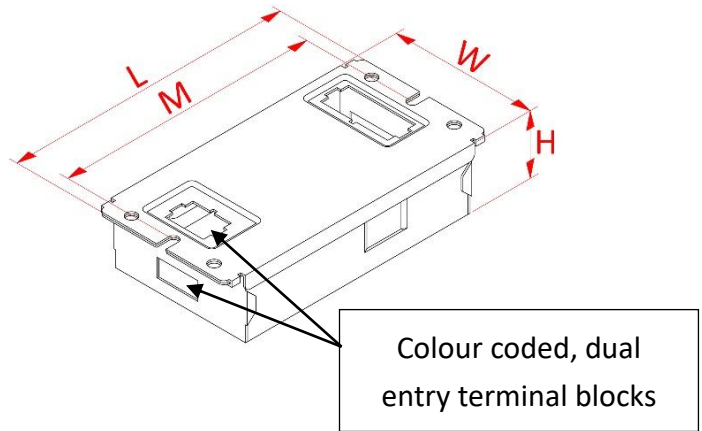
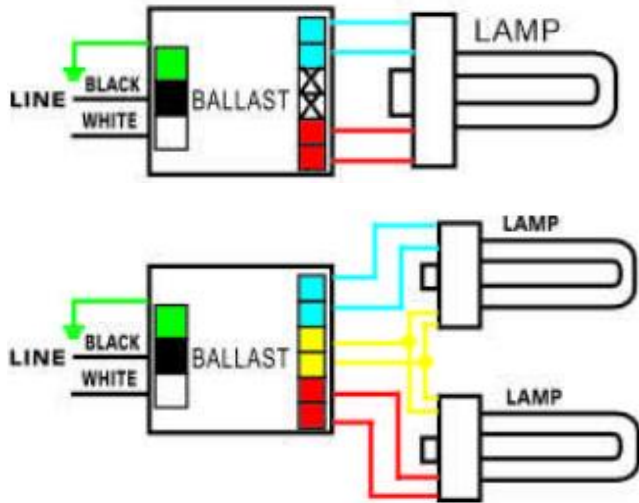
# CSD-B18KITS (AM42)

# 347V PLC/PLT Program Start Ballast

## Wiring Diagram

## Mechanical Data

Lead Length (Kit)			Overall Length (L)		
Black	9.00"	23.00 cm	4.92"	12.50 cm	
White	9.00"	23.00 cm	Width (W)	2.51" / 6.40 cm	
Green	9.00"	23.00 cm	Height (H)	1.14" / 2.90 cm	
Red	9.00"	23.00 cm	Mounting (M)	4.49" / 11.40 cm	
Blue	9.00"	23.00 cm	Case Quantity	20	
Yellow	9.00"	23.00 cm	Net Weight	15.65 lbs / 7.10 kg	
			Gross Weight	17.86 lbs / 8.10 kg	



Mounting Plate with Studs

Extending Wire Set

Wire Extraction Tool

Hardware

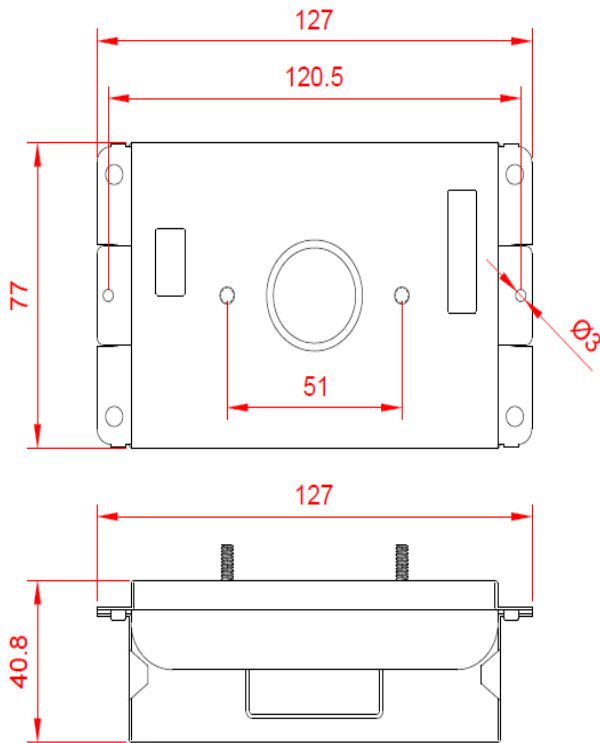


# CSD-B18KITS (AM42)

# 347V PLC/PLT Program Start Ballast

Wiring Diagram

Mechanical Data



Maximum wiring distance (at full load) is 18AWG/18'  
Ballast must be grounded

Install in accordance with the National Electrical Code

