



EPD-A32T8MIC (AM47A)

T8 Instant Start Ballast

Application and Performance Specification

Ballast Type	Electronic	Ballast Factor	High
Starting Method	Instant Start	Minimum Starting Temp.	-18°C / 0°F
Lamp Connection	Parallel	Approvals Class	UL / cUL Listed, Class P UL Type 1 Outdoor
Lamps Operated	1 or 2		
Input Voltage	120-277VAC; 50/60Hz	Warranty	5 Years $t_c \leq 75^\circ\text{C}$ 3 Years $75^\circ\text{C} < t_c \leq 90^\circ\text{C}$
EMI / RFI Compliance	FCC Part 18-A		
Sound Rating	Class A	Safety & Performance	Auto-Reset Shutdown Circuit Surge Protected Type HL No PCBs DOE Energy Verified

Electrical Data

Lamp Type	Lamps Operated	Line Voltage	Input Watts*	Nominal Line Amps	Ballast Factor	Power Factor	THD	Crest Factor
F32T8	2	120	56	0.48	0.89	0.99	10%	1.70
		230		0.25		0.99	10%	
		277		0.20		0.99	10%	
	1	120	36	0.30	1.06	0.99	10%	
		230		0.16		0.99	10%	
		277		0.13		0.98	10%	
F25T8	2	120	46	0.37	0.90	0.99	10%	1.70
		230		0.20		0.99	10%	
		277		0.16		0.99	10%	
	1	120	30	0.25	1.13	0.99	10%	
		230		0.13		0.99	10%	
		277		0.11		0.98	15%	
F17T8	2	120	33	0.28	0.95	0.99	10%	1.70
		230		0.14		0.99	10%	
		277		0.12		0.98	10%	
	1	120	20	0.17	1.45	0.99	10%	
		230		0.09		0.99	10%	
		277		0.07		0.99	10%	



© All documentation is subject to change without notice. Please refer to our website for the latest product information and specifications. Please contact us for details.

www.lumenefficientdesign.ca

EPD-A32T8MIC (AM47A)

T8 Instant Start Ballast

Electrical Data

Lamp Type	Lamps Operated	Line Voltage	Input Watts*	Nominal Line Amps	Ballast Factor	Power Factor	THD	Crest Factor
F40T8	1	120	44	0.37	1.03	0.99	10%	1.70
		230		0.19		0.99	10%	
		277		0.16		0.99	10%	
F30T8 (ES)	2	120	55	0.47	0.89	0.99	10%	1.70
		230		0.24		0.98	10%	
		277		0.20		0.98	10%	
	1	120	35	0.29	1.06	0.99	10%	1.70
		230		0.15		0.98	15%	
		277		0.12		0.98	15%	
F28T8 (ES)	2	120	50	0.42	0.89	0.99	10%	1.70
		230		0.22		0.98	10%	
		277		0.18		0.98	10%	
	1	120	32	0.27	1.15	0.99	10%	1.70
		230		0.14		0.99	10%	
		277		0.11		0.99	10%	
F25T8 (ES)	2	120	45	0.38	0.89	0.99	10%	1.70
		230		0.19		0.99	10%	
		277		0.16		0.99	10%	
	1	120	30	0.25	1.23	0.99	10%	1.70
		230		0.13		0.99	10%	
		277		0.11		0.99	10%	

* ANSI measured wattage; 25°C ambient; bench top
 Application and Performance Specification Information is subject to change without notification.



EPD-A32T8MIC (AM47A)

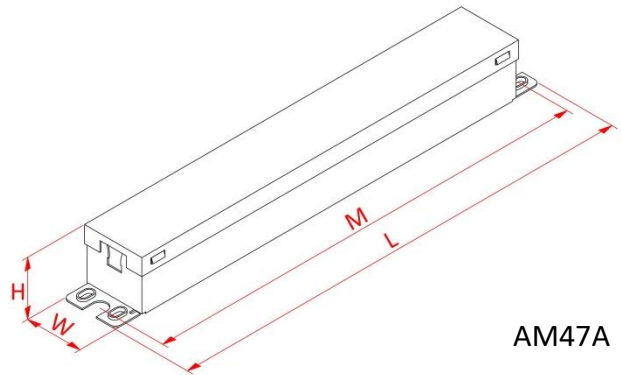
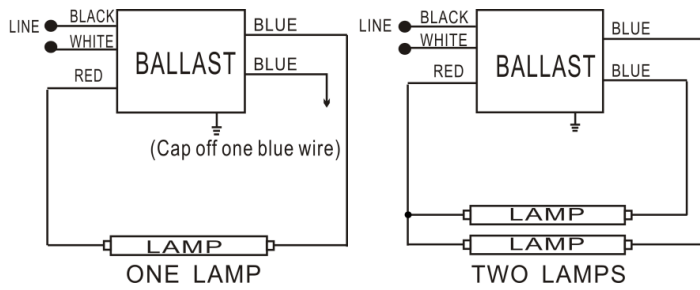
T8 Instant Start Ballast

Wiring Diagram

Black	18.80"	48.00 cm
White	18.80"	48.00 cm
Blue	30.90"	78.50 cm
Red	46.40"	118.00 cm

Mechanical Data

Overall Length (L)	9.50"	24.10 cm
Width (W)	1.26"	3.20 cm
Height (H)	1.14"	2.90 cm
Mounting (M)	8.90"	22.6 cm
Case Quantity	30	
Net Weight	27.34 lbs	12.40 kg
Gross Weight	29.54 lbs	13.40 kg



AM47A

Maximum wiring distance (at full load) is 18AWG/18'
Ballast must be grounded

Install in accordance with the National Electrical Code

