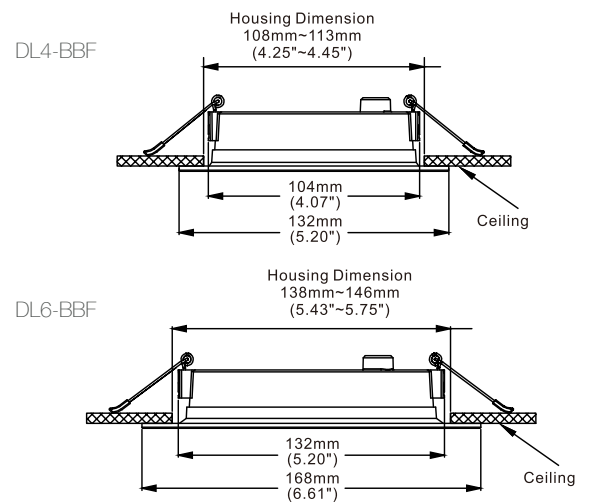


LED (DL-BBF) Backlit Slim Down Light with Baffle Trim

- Available in 4" and 6" dimensions
- Modern, low profile, backlit design
- High luminous efficacy: 110lm/W
- Baffle trim softens the intensity of the light source
- Regressed light source, low glare design UGR <18
- Air tight and IC rated
- Commercial grade 1.25" torsion spring clips
- FT6/CMP Plenum rated cables
- Junction box with easy wiring access for quick installation
- Flicker free driver
- Selectable 5CCT: 2700K-3000K-3500K-4000K-5000K
- Acrylic diffuser designed for uniform lighting, excellent light transmittance and colour consistency
- Suitable for dry or damp locations
- Recommended ceiling height: 8-10ft
- Suitable for residential or commercial applications
- Input line voltage: 120VAC; 50/60Hz
- TRIAC dimming
- CRI Ra80+
- Suitable for retrofit or new installation
- LM70 25,000 hour average life
- Operating temperature: -40°C to 40°C
- 5-year warranty



Dimensions



Specifications

MODEL	Input Voltage (V)	Wattage (W)	Lumen Output (lm)	Beam Angle	CCT (K)	Dimmable	CRI	Life Time (Hrs)	Power Factor
4 inch	120	8	880 ±10%	Wide 108*	5CCT	TRIAC	≥80	25000	>0.9
6 inch	120	12	1320 ±10%	Wide 108*	5CCT	TRIAC	≥80	25000	>0.9

