



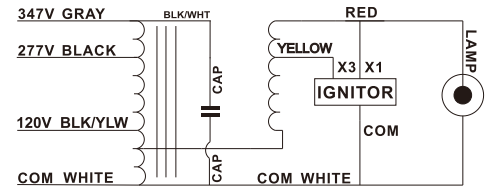
HX-HPFMH150/3T (M102)

150W MH Ballast 120/277/347V 60Hz

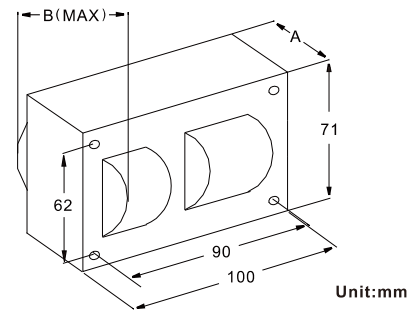
Application and Performance Specification

Input Volts	120	277	347
Circuit Type	HX-HPF		
Power Factor	90% (min.)		
Regulation			
Line Volts	±5%		
Lamp Watts	±10%		
Line Current (A)			
Operating	1.64	0.70	0.55
Open Circuit	3.80	1.65	1.29
Starting	3.20	3.20	3.20
UL Temperature Ratings			
Insulation Class	H 180°C		
Temperature Code	D	C	C
Starting Temperature	-40°C (min.)		
Nominal Open Circuit Voltage	250	250	250
Input Watts	195	195	195
Capacitor Specifications			
Microfarads	16µF		
Volts	300V (min.)		
60Hz Test Procedures			
High Potential Test (Volts)			
1 minute	1600	1600	1600
2 seconds	2300	2300	2300
Secondary Open Circuit Voltage (V)	230-290	230-290	230-290
Secondary Short-Circuit Current (A)	2.00-3.50	2.00-3.50	2.00-3.50
Input Open Circuit Current (A)	3.40-4.10	1.30-2.00	1.00-1.50
Input Short-Circuit Current (A)	2.50-3.90	0.80-1.70	0.60-1.40
Core & Coil Specification			
Dimensions A	66 mm		
Dimensions B	104 mm		
Weight	3.20 kg		

Wiring Diagram



Core and Coil Dimensions

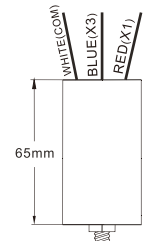
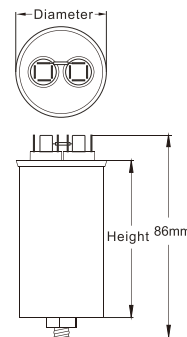


Capacitor and Ignitor Dimensions

Capacitor: 16UF/300V Ignitor: MH35W-400W

Rated Temp: 105°C
Height: 65mm
Width/Diameter: 42mm

Rated: 105°C
BLT: 2ft



© All documentation is subject to change without notice. Please refer to our website for the latest product information and specifications. Please contact us for details.

www.lumenefficientdesign.ca