



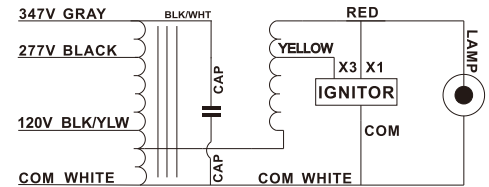
HX-HPFMH100/3T (M90)

100W MH Ballast 120/277/347V 60Hz

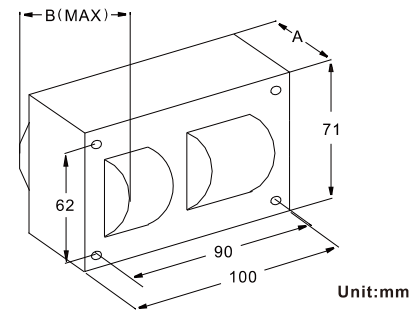
Application and Performance Specification

Input Volts	120	277	347
Circuit Type	HX-HPF		
Power Factor	90% (min.)		
Regulation			
Line Volts	±5%		
Lamp Watts	±10%		
Line Current (A)			
Operating	1.00	0.44	0.33
Open Circuit	2.30	1.00	0.88
Starting	1.40	1.40	1.40
UL Temperature Ratings			
Insulation Class	H 180°C		
Temperature Code	A	A	A
Starting Temperature	-40°C (min.)		
Nominal Open Circuit Voltage	250	250	250
Input Watts	126	126	126
Capacitor Specifications			
Microfarads	10µF		
Volts	300V (min.)		
60Hz Test Procedures			
High Potential Test (Volts)			
1 minute	1600	1600	1600
2 seconds	2500	2500	2500
Secondary Open Circuit Voltage (V)	220-280	220-280	220-280
Secondary Short-Circuit Current (A)	1.10-1.60	1.10-1.60	1.10-1.60
Input Open Circuit Current (A)	2.00-2.70	0.90-1.80	0.80-1.50
Input Short-Circuit Current (A)	0.50-1.00	0.25-0.60	0.20-0.50
Core & Coil Specification			
Dimensions A	57 mm		
Dimensions B	95 mm		
Weight	2.80 kg		

Wiring Diagram



Core and Coil Dimensions

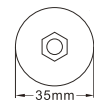
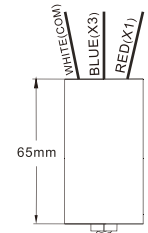
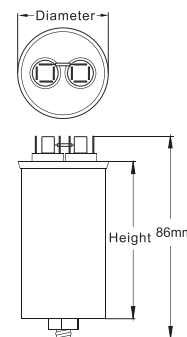


Capacitor and Ignitor Dimensions

Capacitor: 10UF/300V Ignitor: MH35W-400W

Rated Temp: 105°C
Height: 65mm
Width/Diameter: 42mm

Rated: 105°C
BLT: 2ft



© All documentation is subject to change without notice. Please refer to our website for the latest product information and specifications. Please contact us for details.

www.lumenefficientdesign.ca