



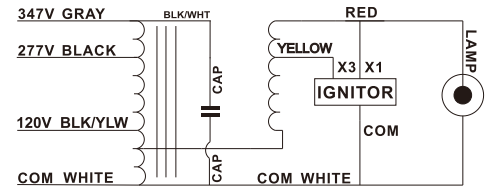
# HX-HPFHPS70A/3T/347 (S62)

# 70W HPS Ballast 120/277/347V 60Hz

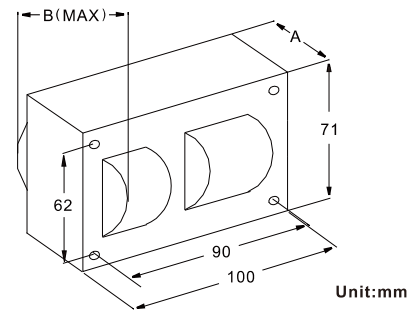
Application and Performance Specification

Input Volts	120	277	347
Circuit Type	HX-HPF		
Power Factor	90% (min.)		
Regulation			
Line Volts	±5%		
Lamp Watts	±10%		
Line Current (A)			
Operating	0.78	0.33	0.26
Open Circuit	1.50	0.67	0.53
Starting	2.00	2.00	2.00
UL Temperature Ratings			
Insulation Class	H 180°C		
Temperature Code	A	A	A
Starting Temperature	-40°C (min.)		
Nominal Open Circuit Voltage	130	130	130
Input Watts	95	95	95
Capacitor Specifications			
Microfarads	5µF		
Volts	400V (min.)		
60Hz Test Procedures			
High Potential Test (Volts)			
1 minute	1600	1600	1600
2 seconds	2300	2300	2300
Secondary Open Circuit Voltage (V)	110-150	110-150	110-150
Secondary Short-Circuit Current (A)	1.80-2.40	1.80-2.40	1.80-2.40
Input Open Circuit Current (A)	1.10-1.80	0.60-1.20	0.40-1.00
Input Short-Circuit Current (A)	0.60-1.20	0.30-0.80	0.20-0.70
Core & Coil Specification			
Dimensions A	49 mm		
Dimensions B	80 mm		
Weight	2.40 kg		

## Wiring Diagram



## Core and Coil Dimensions

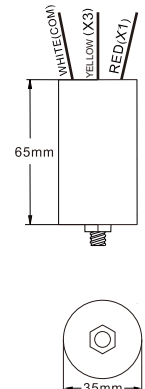
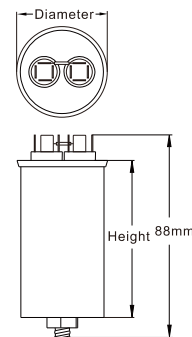


## Capacitor and Ignitor Dimensions

Capacitor: 5UF/400V Ignitor: HPS35W-150W

Rated Temp: 105°C  
Height: 66mm  
Width/Diameter: 45mm

Rated: 105°C  
BLT: 2ft



© All documentation is subject to change without notice. Please refer to our website for the latest product information and specifications. Please contact us for details.

[www.lumenefficientdesign.ca](http://www.lumenefficientdesign.ca)